

BOWERMANS™

COMMERCIAL FURNITURE SOLUTIONS SINCE 1946

LURO TABLES



BOWERMANS - 1300 392 538

BOWERMANS.COM.AU

The Luro Table Range is available through Bowermans Commercial Furniture.

BOWERMANS™

COMMERCIAL FURNITURE SOLUTIONS SINCE 1946

LURO TABLES

The Luro table is a height-adjustable gas lift table and is the perfect side/conversation table for any space. Its simple design and easy-to-use height adjustment make for the ideal break out area companion.

With its quality release lever and smooth gas lift, Luro requires minimal effort to re-position, providing a gentle and stable transition between height levels. The off-centre column gives the seated user ample leg clearance, while the slim steel base offers a sturdy grounding without occupying space.

A choice of an elliptical, rectangular or castor base, with a variety of shapes and sizes for the top makes the Luro table a highly functional and versatile option in any application.

RANGE

Elliptical base with off-centre column

Rectangular base with off-centre column

Castor wheel base with off-centre column

FEATURES

Black powder coated steel base and column

Height adjustable

OPTIONS

Elliptical, round or square tops. Comes standard with melamine top. Available in wide range of veneers, laminates and pre-finished boards on request.

WARRANTY

5 years



BOWERMANS™

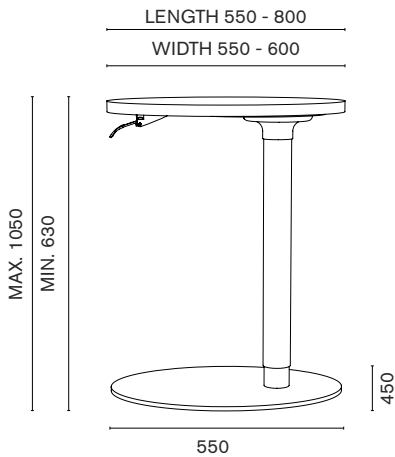
COMMERCIAL FURNITURE SOLUTIONS SINCE 1946

LURO TABLES

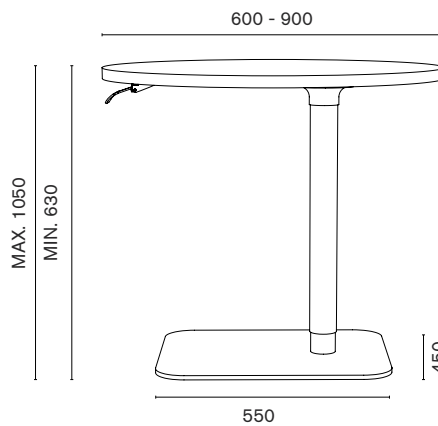
PRODUCT DIMENSIONS

(NOT TO SCALE, ALL DIMENSIONS IN MILLIMETERS)

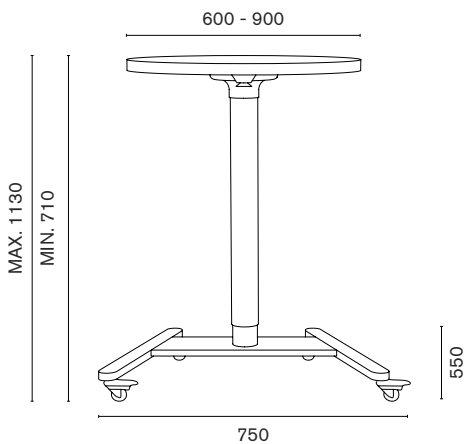
ELLIPTICAL OR ROUND TOP ELLIPTICAL BASE



ROUND OR SQUARE TOP RECTANGULAR BASE



ROUND OR SQUARE TOP CASTOR BASE



BOWERMANS - 1300 392 538

BOWERMANS.COM.AU

The Luro Table Range is available through Bowermans Commercial Furniture.

LURO TABLES

PRODUCT CARE AND MAINTENANCE

LAMINATE & MELAMINE

Ensure care is taken to wipe up spills immediately and that surfaces are not allowed to be exposed to high or continuous levels of moisture, steam, or humidity.

Use a soft non-abrasive brush and a diluted solution of a mild detergent such as dishwashing detergent in warm water to remove dust and other deposits. Rinse the surfaces with clean water after cleaning to remove all residue, then wipe dry with a clean dry cloth.

Do not use commercial cleaning products, abrasive cleaners, scouring pads, any products containing high alkaline or acid content, solvents, or thinners.

POWDERCOATED SURFACES

Use a soft non-abrasive brush and a diluted solution of a mild detergent such as dishwashing detergent in warm water to remove dust and other deposits. Rinse the surfaces with clean water after cleaning to remove all residue, then wipe dry with a clean dry cloth.

Do not use commercial cleaning products, abrasive cleaners, scouring pads, any products containing high alkaline or acid content, solvents, or thinners.

FABRIC

Protect fabric products from direct sunlight where possible. Vacuum regularly using low suction, and rotate reversible cushions regularly. Treat spills and stains as soon as possible, avoid scrubbing surfaces.

Do not saturate the fabric with water or other cleaning liquids. Professional cleaning is recommended for all fabric and upholstery products. Allow product to be dried thoroughly after cleaning and before use.

ACOUSTIC PANEL

Protect panel products from direct heat and sunlight where possible to prevent colour fading and warping. Vacuum regularly on low suction with a soft brush attachment to prevent dust build up. Treat all stains and spills as soon as possible to prevent long-term damage to absorbent surfaces. Mild detergent and warm water is recommended.

Do not scrub the panel as this will affect the surface finish.

LURO TABLE IS AVAILABLE THROUGH
BOWERMANS COMMERCIAL FURNITURE